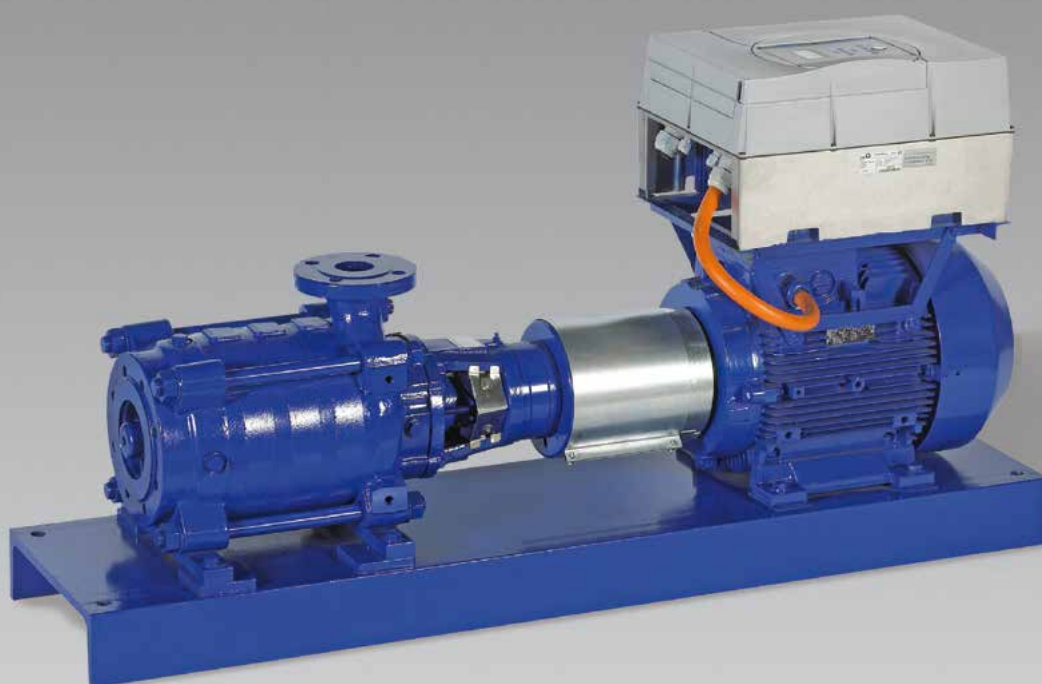


Multitec – High-pressure Pump in Ring-section Design



Multitec with PumpDrive

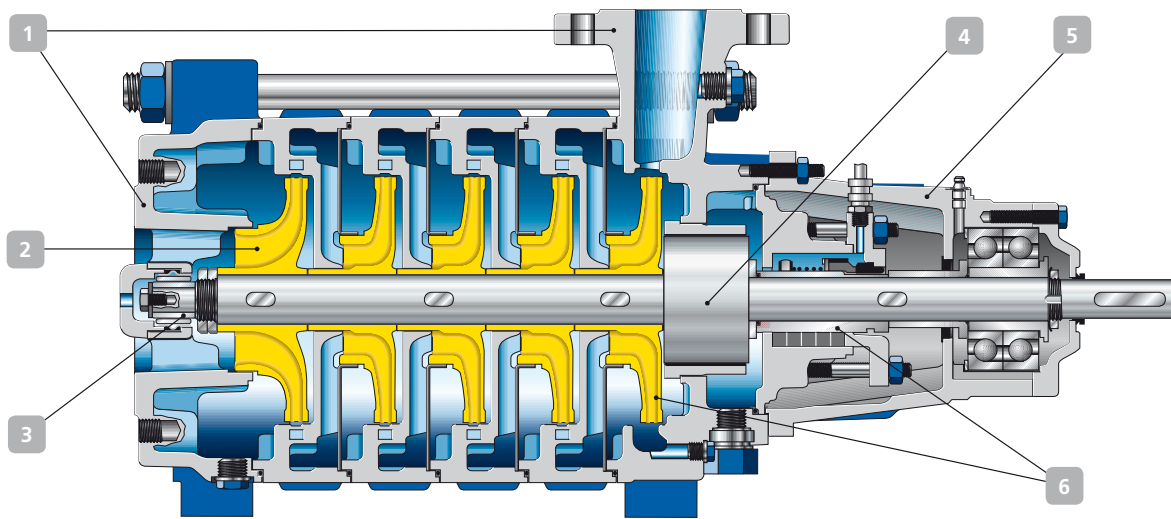
Applications:

- Water supply
- Drinking water supply (ACS)
- Industry
- Irrigation
- Power stations
- Heating, filtering, fire-fighting, reverse osmosis, snow guns, washing plants

More information:

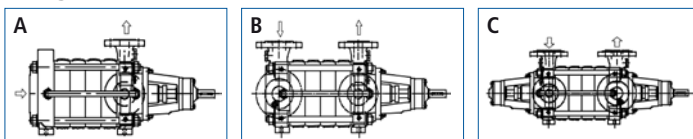
www.ksb.com/products

Multitec – High-pressure Pump in Ring-section Design



- 1 Flexible**
Ideal adjustment of suction and discharge nozzles to the system
- 2 Low NPSH**
Special suction impeller
- 3 Reliable**
Wear-resistant, self-aligning plain bearing made of silicon carbide
- 4 High availability**
Axial thrust balancing for a long service life
- 5 Service-friendly**
Easy dismantling of bearing and mechanical seal
- 6 Low operating costs**
Only one shaft seal and hydraulic system with optimum efficiency
- Versatile**
Large choice of materials and designs
- Energy savings of up to 60%**
On pump sets equipped with PumpDrive, the motor speed is controlled automatically to match current demand.

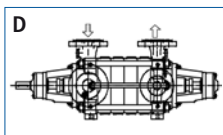
Designs



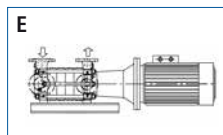
A Horizontal long-coupled design with axial inlet and plain bearing

B Horizontal long-coupled design with radial inlet and plain bearing

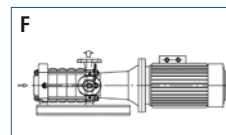
C Horizontal long-coupled design with radial nozzles rolling element bearing on both ends and drive on the discharge side



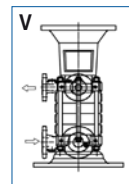
D Horizontal long-coupled design with radial nozzles rolling element bearing on both ends and drive on the suction side



E Horizontal close-coupled pump with radial inlet



F Horizontal close-coupled pump with axial inlet



V Vertical close-coupled design

Technical data

Size	DN 32 to 150
Flow rate	Up to 850 m ³ /h
Head	Up to 630 m (1,000 m)
Fluid temperature	-10 to +200 °C
Pump discharge pressure	Up to 63 bar (100 bar)

Materials

Cast iron, bronze, cast steel, stainless steel, duplex and super duplex stainless steel

Automation available

PumpDrive, PumpMeter, Hyamaster



KSB Aktiengesellschaft
Johann-Klein-Straße 9
67227 Frankenthal (Germany)
www.ksb.com